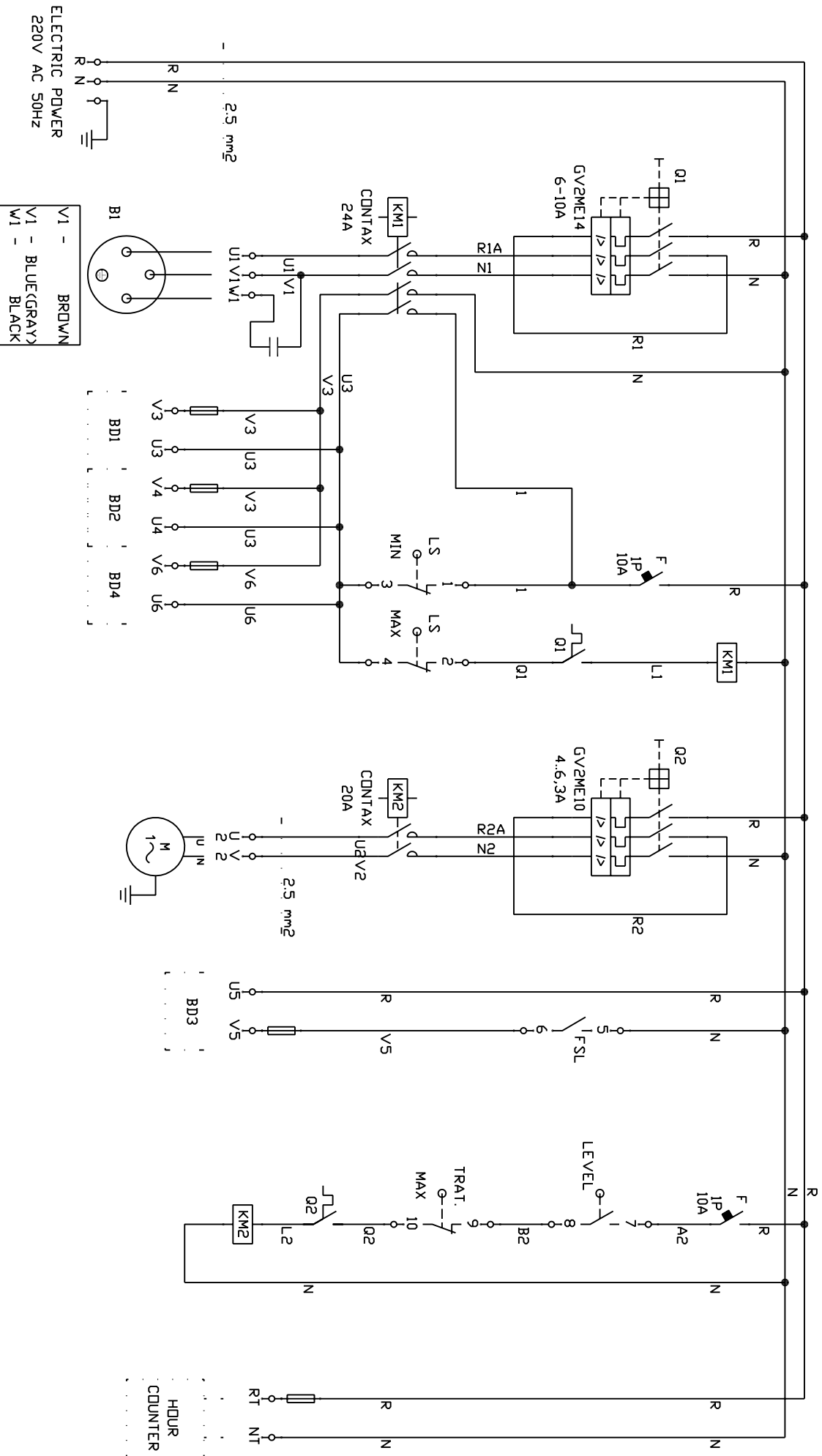


1	GENERAL POWER											
2		XV-01 220V AC										
3			DOSING PUMPS BD1 Y BD2									
4				OPERATION B1 BD1 & BD2 & LEVELS MIN. & MAX.								
5					PUMP B2 220V AC 5.5A							
6						DOSING PUMP BD3 & FLOW DETECTION						
7							OPERATION PUMP B2					
8												
9												
10												
11												
12												
13												



ELECTRIC POWER
220V AC 50Hz

Project:

UNIT 2E3000

Drawn	Date	Name	Signe
Verified			

HOUR
COUNTER