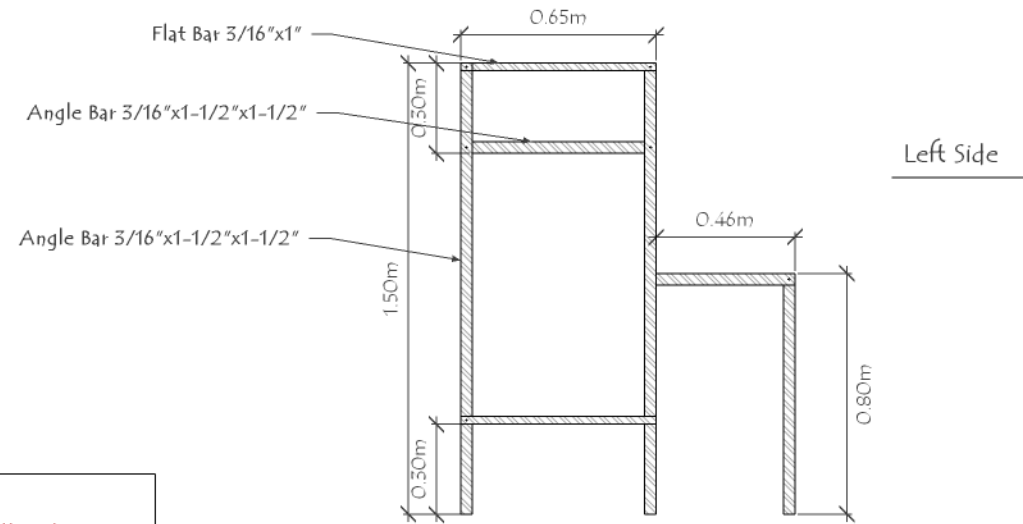
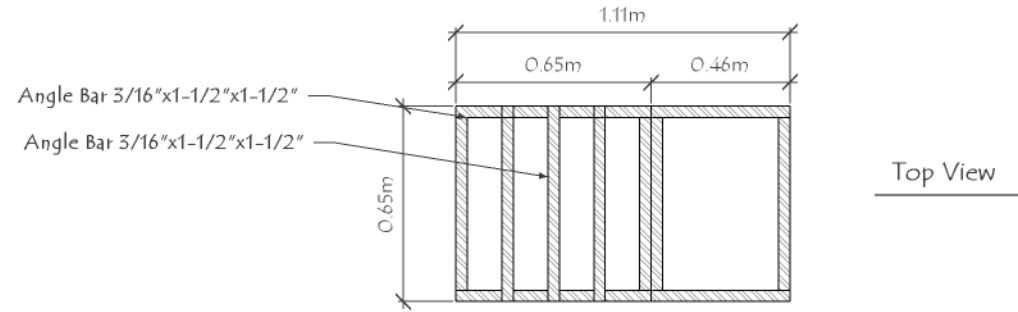


Prepared and Designed by	Validated by	Project Title	Implemented by	Endorsed by	Approved by	Sheet Content	Sheet No.
Maria Carla delos Santos WASH Engineer	Esther Magdayo Head of Projects	Hands free handwashing station - Metal	Action Against Hunger	Delia Chua Head of Base	Nayco Yap WASH Coordinator		1/3



Note:  
All joints all bolted..



Details Specification of Stand

Scale 1:100

Prepared and Designed by	Validated by	Project Title	Implemented by	Endorsed by	Approved by	Sheet Content	Sheet No.
Maria Carla delos Santos WASH Engineer	Esther Magdayo Head of Projects	Hands free handwashing station - Metal	Action Against Hunger	Delia Chua Head of Base	Nayco Yap WASH Coordinator		2/3



Prepared and Designed by	Validated by	Project Title	Implemented by	Endorsed by	Approved by	Sheet Content	Sheet No.
Maria Carla delos Santos WASH Engineer	Esther Magdayo Head of Projects	Hands free handwashing station - Metal	Action Against Hunger	Delia Chua Head of Base	Nayco Yap WASH Coordinator		3/3